

ZIRKULAR

Tubular sightglass with smooth full bore

DIN-EN: DN 15 - 150 / PN 10 - 16
ASME: NPS 1" - 4" / class 150



Design Features

Design Characteristics

- temperature range up to 180°C

Materials

Standard

- Stainless steel 1.4408 / ASTM A351 CF8M

Special materials

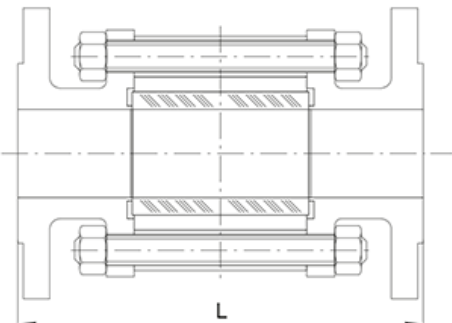
- other materials on request

Sightglass

- Borosilikat

Dimensions

	PN	p_{max}^{**}	L
DIN 3202/EN 558-1	16	15,8	150
	16	13,5	150
	16	11,2	160
	16	8,7	180
	16	11,9	200
	10	9,0	230
	10	7,7	290
	10	6,2	310
	10	4,8	350
	10	4,8	350
	*	*	*
	*	*	*
ASME B 16.5	150	11,2	160
	150	11,9	200
	150	9,0	230
	150	6,2	310
	150	4,8	350



* on request

Higher pressure load on request

Other DN, PN, e.g. ANSI 300 and JIS as well as other materials on request