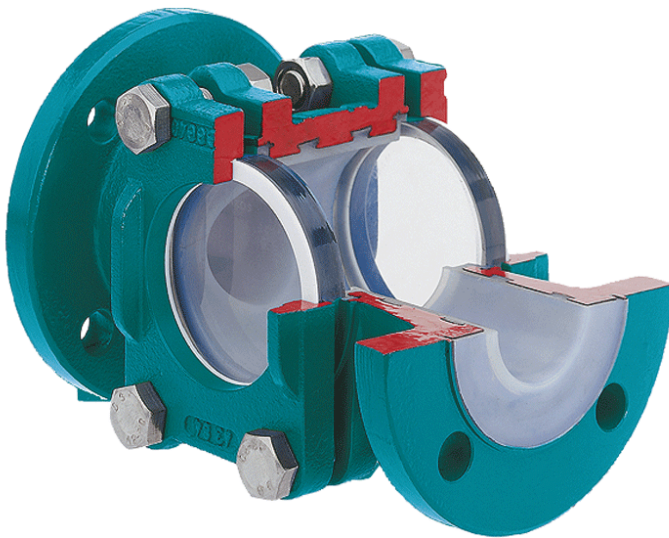


## OCULAR-A

Sightglass with FEP/PFA lining, full bore

DIN-EN: DN 15 - 250 / PN 10 - 40

ASME: NPS 1" - 4" / class 150



## Design Features

### Design Characteristics

- temperatur range up to 150°C
- Borosilikat sightglass
- with entry nozzle for turbulences
- with heating jacket (option)
- FEP-, PFA- or PVDF lining (3 mm min.)

## Materials

### Standard

- Ductile cast iron ENJS 1049, ASTM Gr 60-40-18 / A395

### Special materials

- Carbon Steel 1.0619 / ASTM A216 WCB
- Stainless steel 1.4308 / ASTM A351 CF8M
- Unalloyed stainless steel casting (low Temp.) 1.1138 / LCC/LCB / A352

### Sightglass

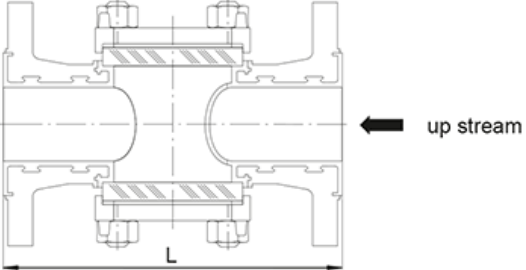
- Borosilikat

### Lining materials

- Body: PFA, PFA-conductive, FEP, PVDF

## Dimensions

DIN 3202/EN 558-1	PN	L
	10-40	130
	10-40	150
	10-40	160
	10-40	180
	10-40	200
	10-40	230
	10-40	290
	10-40	310
	10/16	350
	25/40	480
	10/16	600
	25/40	730
	25/40	
ASME B 16.5	PN	L
150	127	
150	165	
150	178	
150	203	
150	229	



Higher pressure load on request