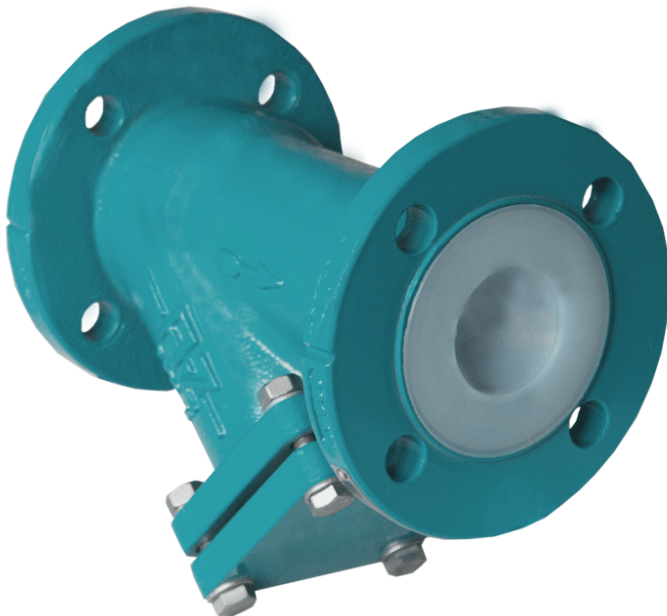


DELTA-SF

Strainer with PFA/FEP Lining

DIN-EN: DN 15 - 250 / PN 10 - 40
ASME: NPS 1" - 4" / class 150



Design Features

Design Characteristics

- temperature range up to 150°C
- filter basket made of PFA/FEP (seperately available)
- 3 mm mesh width (other mesh with on request)

Materials

Standard

- Ductile cast iron ENJS 1049, ASTM Gr 60-40-18 / A395

Special materials

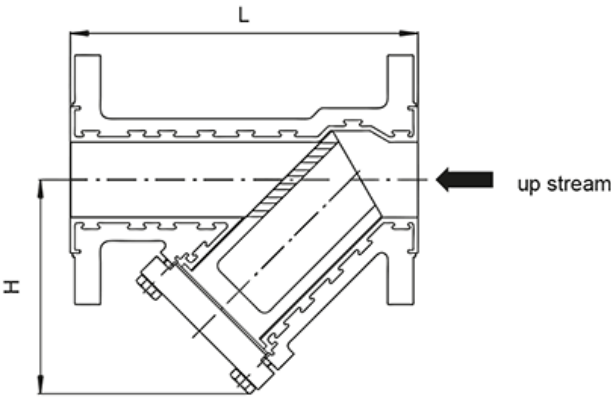
- Carbon Steel 1.0619 / ASTM A216 WCB
- Stainless steel 1.4308 / ASTM A351 CF8M
- Unalloyed stainless steel casting (low Temp.) 1.1138 / LCC/LCB / A352

Lining materials

- PFA, PFA-conductive, FEP, PVDF

Dimensions

	DN	PN	L	H
DIN 3202/EN 558-1	15	10-40	130	100
	20	10-40	150	100
	25	10-40	160	10
	32	10-40	180	*
	40	10-40	200	120
	50	10-40	230	160
	65	10-40	290	*
	80	10-40	310	185
	100	10/16	350	220
	150	10/16	350	380
	200	25/40	*	*
250	25/40	*	*	
ASME B 16.5	NPS	class	L	H
	1"	150	127	100
	1½"	150	*	*
	2"	150	178	150
	3"	150	203	200
	4"	150	229	230



* on request

Higher pressure load on request